

# SPECIFICATIONS

## 制 品 规 格 书

CUSTOMERS                   【客户名称】:           K1255          

PRODUCT NAME           【产品名称】:           waterproof Speaker          

CUSTOMER PART NO 【客户型号】:           GF08          

QINGLONG PART NO 【我司型号】:           XDEC-45Y04T15NB05B          

DESCRIPTION              【规 格】:           φ 45mm 4 Ω 3W          

DATE                       【日 期】:           2015-03-20          

客户承认 APPROVED

此承认书请客户确认签字后回传，谢！

Please send one of approval with Countersign to us after being approved

**XDEC**深圳市轩达电子有限公司  
SHENZHEN XUANDA ELECTRONICS CO.,LTD

ADD (地址): 深圳市光明区公明镇西田村

TEL (电话): 0755-27739805

第一工业区恒万亿工业园 4 栋

27739815

Shenzhen Gongming town Guangming District Xi Tian

FAX (传真): 0755-27739827

Cun first industrial zone constanttrillion Industrial Park

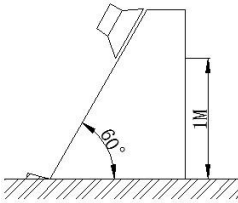
<http://www.chinaxuanda.com>

| 批 准<br>APPROVED | 审 核<br>CHECKED | 制 作<br>DESIGNED |
|-----------------|----------------|-----------------|
| 蔡海涛             | 吴登壹            | 朱剑              |

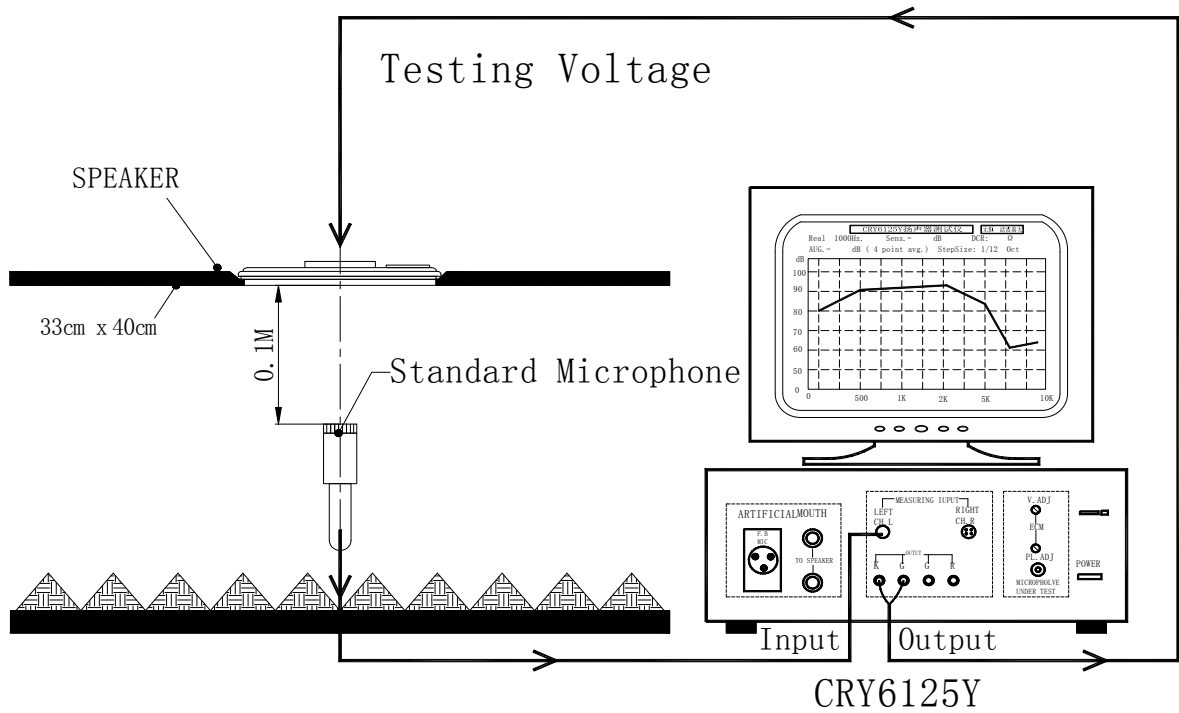
# REVISION HISTORY

## 修订履历表

| NO.<br>编号 | Date<br>日期 | Version<br>版本 | Update<br>变更内容 | Comment<br>变更原因 | Written<br>担当 |
|-----------|------------|---------------|----------------|-----------------|---------------|
| 1.        |            |               |                |                 |               |
| 2.        |            |               |                |                 |               |
| 3.        |            |               |                |                 |               |
| 4.        |            |               |                |                 |               |
| 5.        |            |               |                |                 |               |
| 6.        |            |               |                |                 |               |
| 7.        |            |               |                |                 |               |
| 8.        |            |               |                |                 |               |
| 9.        |            |               |                |                 |               |
| 10.       |            |               |                |                 |               |
| 11.       |            |               |                |                 |               |
| 12.       |            |               |                |                 |               |
| 13.       |            |               |                |                 |               |
| 14.       |            |               |                |                 |               |
| 15.       |            |               |                |                 |               |
| 16.       |            |               |                |                 |               |
| 17.       |            |               |                |                 |               |
| 18.       |            |               |                |                 |               |

| 顾客<br>CUSTOMER       |                                | K1255   | 顾客型号<br>CUSTOMER'S NO             |   |
|----------------------|--------------------------------|---|-----------------------------------|---|
| 厂内型号<br>OUR PART NO. |                                | XDEC-45Y04T15NB05B  | 样品号码<br>SAMPLE NO.                |   |
| NO.                  | Item                           | Specification   |                                   | Cindition   |
| 1                    | Dimensions<br>尺寸               | 45*21.5H mm   |                                   |   |
| 2                    | Nomial Impedance<br>标称阻抗       | 4±15% OHM   | At 1.0KHz / 0.63V                 |   |
| 3                    | Input power<br>输入功率            | Rated:3.0W/ Max: 4.0W   | At 3.46V /4.0V                    |   |
| 4                    | Resonance Frequency<br>最低共振周波数 | 140±20%Hz   | At 0.63V                          |   |
| 5                    | S. P. L.<br>音压位准               | 92±3 dB(0.1W/0.1M)  | At0.8K/1.0K/1.2K/1.5KHz (Average) |   |
| 6                    | Frepuency Range<br>有效频宽        | F0~15K  | Output S.P.L. -10dB               |   |
| 7                    | Distortion<br>失真               | 5%Max   | At 1.0KHz 0.1W/0.1M               |   |
| 8                    | Buzze & Rattle<br>异常音          | Not be audible sine wave between at 3.46V /100~3KHz.<br>(输入 3.46V 正弦波从 100 到 3KH 无异常音)  |                                   |   |
| 9                    | Polarity<br>极性                 | Diaphragm shall move forward.<br>(端子的正极通入电流, 振膜振动方向向前)  |                                   |   |
| 10                   | Load test<br>连续负荷测试            | Must be normal after load test:white noise 24 hours.<br>(白噪声连续 24 小时试验后无异常的不良)  |                                   |   |
| 11                   | High TEMP test<br>耐热试验         | After having been in a test chamber for 48 hours at the condition of +60 °C 20~25%R.H and keep 2 hours.(+60°C 20~25%R. H, 48 小时试验常温 2 小时后, 无异常的不良)  |                                   |   |
| 12                   | Cold TEMP test<br>耐寒试验         | After having been in a test chamber for 48 hours at the condition of -25 °C ± 3 °C and keep 2 hours.(-25°C ± 3°C, 48 小时试验常温 2 小时后, 无异常的不良)          |                                   |   |
| 13                   | Humidity test<br>耐湿试验          | After having been in a test chamber for 48 hours at the condition of +40 °C 90~95%R.H and keep 4 hours. (+40°C 90~95%R. H, 48 小时试验常温 4 小时后, 无异常的不良) |                                   |   |
| 14                   | Drop test<br>跌落试验              | The speak shall be dropped 2 times as shown the figure, clause 8 shall be satisfied.<br>(如右图示 2 次跌落满足异常音试验无异常)                                      |                                   |  |
| 15                   | Weld<br>焊接条件                   | terminal weld: 350°C/≤3~5sec*2bit. (端子焊接不超过 3~5 秒)  |                                   |   |
| 16                   | Operating TEMP<br>工作温度         | -25°C To +60°C  |                                   |   |
| APPROVEN BY: 蔡海涛     |                                | CHECKED BY: 吴登壹   |                                   | DRAWING BY: 朱剑  |

17. MEASUREMENT CIRCUIT 测量线路



18. TYPICAL FREQUENCY RESPONSE CURVE 频率响应曲线

03/12/2015 16:05

CRY6125Y 扬声器测试仪 V91

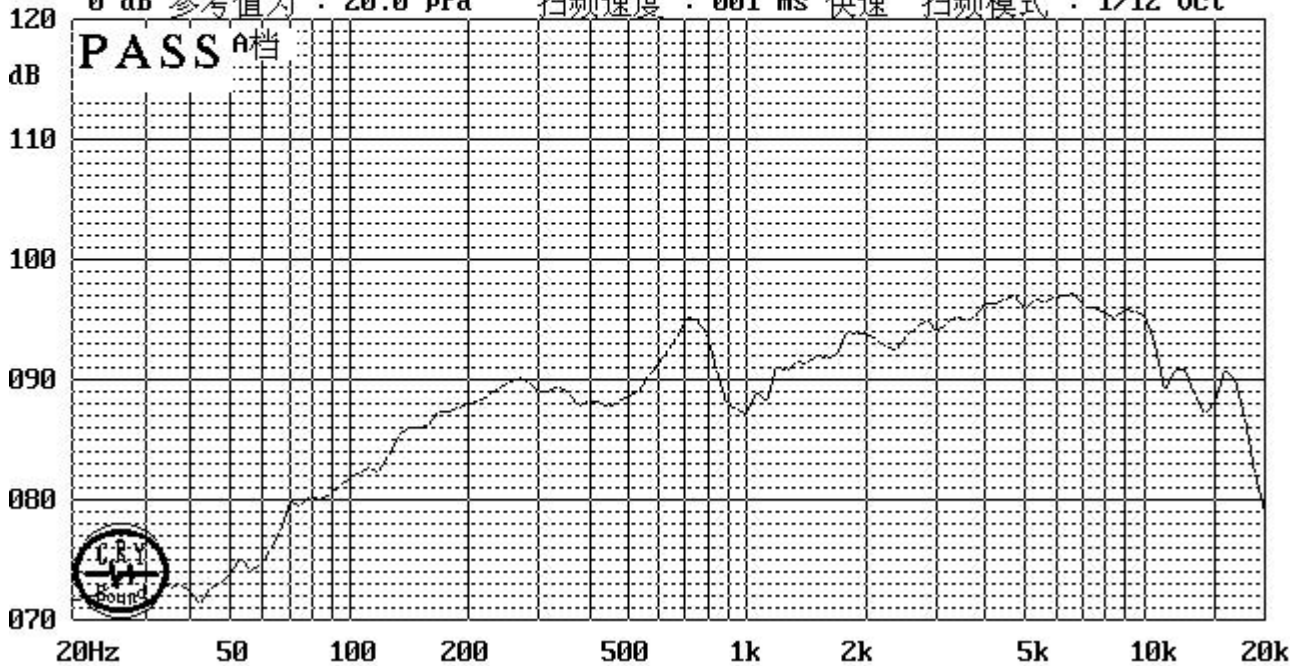
无框

滤波器无

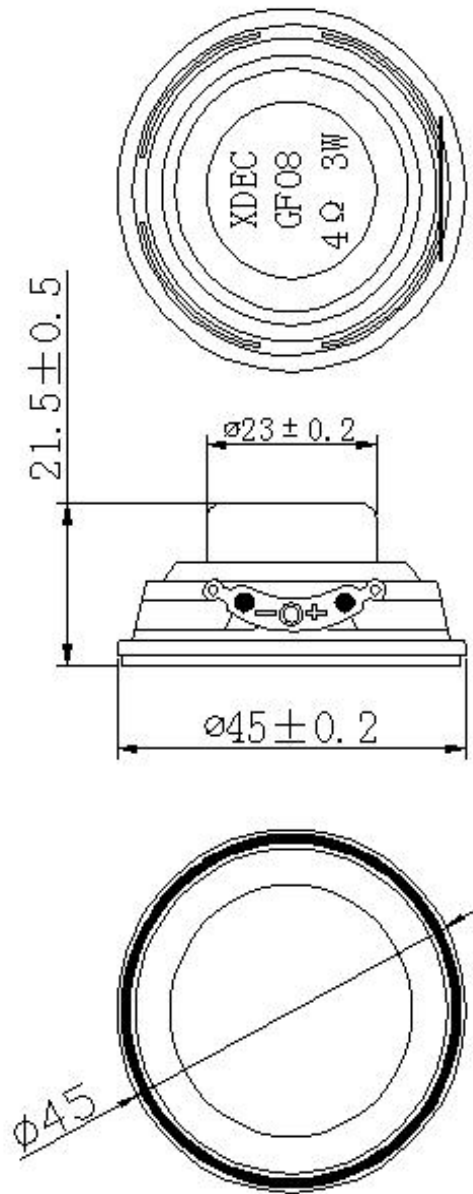
DCR= \_\_\_\_\_  $\Omega$       0 1000Hz 灵敏度 : 087.14 dB  
 Ueq= \_\_\_\_\_ dm3  $\rightarrow$  0 平均灵敏度 : 092.84 dB  
 Dist.=010 cm

ACZ: \_\_\_\_\_  $\Omega$       Qm: \_\_\_\_\_  
 Zm: \_\_\_\_\_  $\Omega$       Qe: \_\_\_\_\_  
 F0: \_\_\_\_\_ Hz      Qt: \_\_\_\_\_

型号: \_\_\_\_\_  
 0 dB 参考值为 : 20.0  $\mu$ Pa      扫频速度 : 001 ms 快速      扫频模式 : 1/12 Oct



19. APPEARANCE DRAWING 外观尺寸图



|            |            |               |  |            |     |     |                    |                  |                    |     |  |
|------------|------------|---------------|--|------------|-----|-----|--------------------|------------------|--------------------|-----|--|
| 公差<br>TOL  | 如图         | 单位<br>UNIT    | mm   | 外形图        |     |     |                    | 顾 客<br>CUSIOMER  | K1255              |     |  |
| 重量<br>N. G |            | 比例<br>SCALE   | 1:1  |            |     |     |                    | 机种名称<br>PART NO. | XDEC-45Y04T15NB05B |     |  |
|            | 日期<br>DATE | 说 明<br>REVISE | 日期<br>DATE   | 2018-03-19 | 版 号 | 1.0 | 图 番<br>DRAWING NO. |                  |                    |     |  |
| 1.         |            |               | <b>XDEC</b> 深圳市轩达电子有限公司<br>SHENZHEN XUANDA ELECTRONICS CO.,LTD |            |     |     |                    | 核 准              | 审 核                | 制 图 |  |
| 2.         |            |               |  |            |     |     |                    | 蔡海涛              | 吴登壹                | 朱剑  |  |
| 3.         |            |               |  |            |     |     |                    |                  |                    |     |  |